



Focus on automatic packaging solutions,  
products have been widely used in food,  
agricultural products, industrial supplies, daily  
necessities and other fields.

**LANDPACK**



## CONTACT US

FOSHAN LAND PACKAGING MACHINERY CO.,LTD

Add : Building C7 of New Lighting Source Industrial Base.  
Luocun,Nanhai District,Foshan City,GD,China  
Tel : +86 0757-81807759 Fax : +86 0757-81807759  
Web : [www.landpacking.com/www.landpack.com](http://www.landpacking.com/www.landpack.com)  
E-mail : [sale@landpacking.com](mailto:sale@landpacking.com)  
Zip Code : 528226

**佛山市揽德包装机械有限公司**  
FOSHAN LAND PACKAGING MACHINERY CO.,LTD

# Company Profile

Since our company established, we has been concentrating on packaging machines, which has many large, medium and small enterprise units packaging cases. To create value and customized satisfying fully automatic packaging solution for customers!

Foshan Land Packaging Machinery Co.,Ltd located in Foshan city, China. We concentrate on R&D, manufacturing, installation, commissioning and technical service, the products including vertical packaging machines, horizontal flow pack machines, and varies automatic feeding and packaging lines, etc, which exported to America, Russia, Europe, Middle East, South Asia, Africa, South America, etc, more than 30 countries and regions.

The machines have been widely applied in food, agricultural products, industrial supplies, daily necessities and other enterprises. As an advanced packaging equipment manufacturer, we are committed to providing professional packaging solutions for enterprises, which can improve the production process, save labor, avoid secondary pollution, so that can highly improve the productivity.



## ★ Company shows



## ★ Qualification certificate



CE

CE

ISO9001

Business License

SGS



TUV



Enterprises that Respect Contract and Keep Credit



AAA Credit Enterprises

# Index :

Page		Project content
01	LD-420/520	Automatic packaging machine
02	LD-620/720	Automatic packaging machine
03	LD-900/1200	Automatic packaging machine
04	LDB-420/520/720	Quad seal bag packaging machine
05	Component parts	Combination multi-heads weigher
06	Component parts	Conveyor series
07	Component parts	Mini nitrogen generator for food /Weight detecting machine
08	Component parts	Metal detector/Balance with four hopper
09	LD-420A/520A/620A/720A	Automatic packaging solutions for grain foods
10	LD-420A/520A/620A/720A	Automatic packaging solutions for grain foods
11	LD-420A/520A/620A/720A	Full automatic packaging machine combined with computer combination weigher
12	LD-420A/520A/620A/720A	Full automatic packaging machine combined with computer combination weigher
13	LD-420AS/520AS/620AS/720AS	LD-Series 4 head linear scale packaging machine
14	LD-420AS/520AS/620AS/720AS	LD-Series 4 head linear scale packaging machine
15	LD-420C/520C/720C	Full automatic packaging machine combined with volumetric cups
16	LD-420Y/520Y/620Y/720Y	Full automatic packaging machine with computer combination weigher
17	LD-420D/520D/620D/720D	Automatic powder packaging machine
18	LD-420D/520D/620D/720D	Automatic powder packaging machine
19	LD-420B/520B/720B	Semi-automatic packaging machine combined with chain buckets
20	LD-420L/520L	Automatic liquid packaging machine
21	LD-320Z	Counting packaging machine for different material in one bag
22	LD-420Z	Counting packaging machine for different material in one bag
23	LD-G4L/G6L/G8L/G10L/G12L	Multi-line granule packaging machine



Page		Project content
24	LD-G4L/G6L/G8L/G10L/G12L	Multi-line granule packaging machine
25	LD-P4L/P6L/P8L/P10L	Multi-line powder packaging machine
26	LD-P4L/P6L/P8L/P10L	Multi-line powder packaging machine
27	LD-L4L/L6L/L8L/L12L	Multi-line liquid packaging machine
28	LD-L4L/L6L/L8L/L12L	Multi-line liquid packaging machine
29	LD-8200	Rotary packaging machine
30	LD-8200	Rotary packaging machine
31	LD-8250	Rotary packaging machine
32	LD-8250	Rotary packaging machine
33	LD-240/320/380	Vertical automatic packaging machine
34	LD-240/320/380	Vertical automatic packaging machine
35	LP Series Material Line	Fully automatic feeding and packaging system
36	LP Series Material Line	Fully automatic feeding and packaging system
37	LP Series Material Line	Lateral fraction one-three material aligning/Straight one-two feeding and packaging line
38	LP Series Material Line	Subsided bedding material feeding line/High-speed disk transportation feeding line
39	LP-250B/D 250E/S 320B/D	Upper-paper rotary pillow packaging machine
40	LP-250B/D 250E/S 320B/D	Upper-paper rotary pillow packaging machine
41	LP-350BD/450/600/700/800D/900D	Upper-paper rotary pillow packaging machine
42	LP-350BD/450/600/700/800D/900D	Upper-paper rotary pillow packaging machine
43	LP-250X/350X/450X/600X/700X/800X/900X	Flow packaging machine
44	LP-250X/350X/450X/600X/700X/800X/900X	Up-paper flow packaging machine
45	LP-450W/600W	Down-paper flow packaging machine
46	LP-450W/600W	Reciprocating flow packaging machine



## LD Automatic packaging machine

### LD-420/520

LD-420A/LD-520A

Fully automatic packaging system with multi-heads weigher

LD-420B/LD-520B

Semi-automatic packaging system with chain-type volumetric batchers

LD-420C/LD-520C

Fully automatic packaging system with volumetric cups

LD-420D/LD-520D

Powder automatic packaging machine



#### Option

- Two synchronous belt device, angle fold device, automatic rectifying device hole-punching device, link bag device.

#### Feature

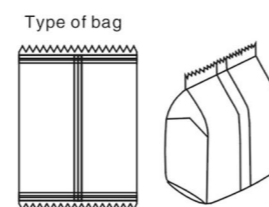
- New design with perfect fashion, more reasonable structure, more advanced technology.
- Imported PLC control system, colorful touch screen, easy operation, intuitionistic and efficient.
- Standard positioning with imported servo film transporting system and mark sensor, superexcellent capability for complete machine, perfect packaging.
- With auto warning protection function to minimize loss.
- Various kinds of bag, it could provide the pillow bag, angle fold bag, hang hole bag, link bag, etc.

#### Applications

- Suitable for automatic packaging of various kinds of leavened food, candies, peanuts, seeds and such materials in grain or piece as well as powder like milk powder, washing powder, starch, etc.

#### Specifications

Type	LD-420	LD-520
Film width	Max.420mm	Max.520mm
Bag length	80-300mm	80-350mm
Bag width	60-200mm	100-250mm
Film roll diameter	Max.320mm	Max.320mm
Packing speed	5-60bag/min	5-60bag/min
Measuring range	2000ml	4000ml
Film thickness	0.04-0.08mm	0.04-0.12mm
Power Supply	220V,50/60Hz,3KW	220V,50/60Hz,3KW
Machine size(L*W*H)	(L)1217X(W)1015X(H)1343mm	(L)1488X(W)1080X(H)1490mm
Machine weight	About 650kg	About 680kg
Film material	BOPP/CPP, BOPP/VMCPP, BOPP/PE, PET/VMPET/PE, PET/AL/PE, PET/PET ETC.	



## LD Automatic packaging machine

### LD-620/720

LD-620A/720A

Fully automatic packaging system with multi-heads weigher

LD-620B/720B

Semi-automatic packaging system with chain-type volumetric batchers

LD-620C/720C

Fully automatic packaging system with volumetric cups

LD-620D/720D

Powder automatic packaging machine



#### Option

- Vacuum film feeding device, angle fold device, retainer devices hole-punching device, link bag device.

#### Feature

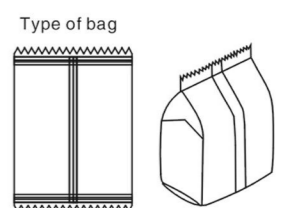
- New design with perfect fashion, more reasonable structure, more advanced technology.
- Imported PLC control system, colorful touch screen, easy operation, intuitionistic and efficient.
- Standard positioning with imported servo film transporting system and mark sensor, superexcellent capability for complete machine, perfect packaging.
- With auto warning protection function to minimize loss.
- Various kinds of bag, it could provide the pillow bag, angle fold bag, hang hole bag, link bag, etc.
- Automatic correct function, save time, labor, and film, the operation more intelligent.
- Adopt external film feeding mechanism. Film setting be more easy and quick.

#### Applications

- Suitable for automatic packaging of various kinds of leavened food, candies, peanuts, seeds and such materials in grain or piece as well as powder like milk powder, washing powder, starch, etc.

#### Specifications

Type	LD-620	LD-720
Film width	150-Max.620mm	150-Max.720mm
Bag length	100-450mm	100-500mm
Bag width	65-300mm	65-350mm
Film roll diameter	Max.320mm	Max.320mm
Packing speed	5-45bag/min	5-40bag/min
Measuring range	8000ml	14000ml
Film thickness	0.04-0.12mm	0.04-0.12mm
Power Supply	220V,50/60Hz,3.2KW	220V,50/60Hz,3.5KW
Machine size(L*W*H)	(L)1488X(W)1180X(H)1550mm	(L)1780X(W)1350X(H)2050mm
Machine weight	About 700kg	About 750kg
Film material	BOPP/CPP, BOPP/VMCPP, BOPP/PE, PET/VMPET/PE, PET/AL/PE, PET/PET ETC.	



## LD Automatic packaging machine

### LD-900/1200

LD-900A/LD-1200A

Fully automatic packaging system with multi-heads weigher

LD-900C/LD-1200C

Fully automatic packaging system with volumetric cups

LD-900D/LD-1200D

Powder automatic packaging machine

#### Option

- Double-servo devices, vacuum film feeding devices, hole-punching device, link bag device.

#### Feature

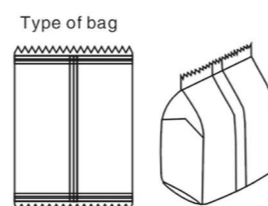
- New design with perfect fashion, more reasonable structure, more advanced technology.
- Imported PLC control system, colorful touch screen, easy operation, intuitionistic and efficient.
- Standard positioning with imported servo film transporting system and mark sensor, superexcellent capability for complete machine, perfect packaging.
- With auto warning protection function to minimize loss.
- With double transporting devices, angle fold devices and retainer devices Function more perfect.
- Various kinds of bag, it could provide the hang hole bag, link bag, etc.
- Automatic correct function, save time, labor, and film, the operation more intelligent.
- Adopt gas-pressure shaft clamping film structure Film setting be more easy and quick.

#### Applications

- Suitable for automatic packaging of various kinds of leavened food, candies, peanuts, seeds and such materials in grain or piece as well as powder like milk powder, washing powder, starch, etc.

#### Specifications

Type	LD-900	LD-1200
Film width	Max.900mm	Max.1200mm
Bag length	100-600mm	100-1000 mm
Bag width	260-430mm	290-580mm
Film roll diameter	max.400mm	max.400mm
Packing speed	5-20bag/min	5-20bag/min
Measuring range	1~25L	1.5~45L
Film thickness	0.04-0.12mm	0.04-0.12mm
Power Supply	220V 50/60Hz 4.5KW	220V 50/60Hz 5.0KW
Machine size(L*W*H)	(L)2305X(W)1685X(H)2725mm	(L)2900X(W)2050X(H)3500mm



## LD Quad seal bag packaging machine

### LDB-420/520/720

LDB-420A/520A/720A

Fully automatic packaging system with multi-heads weigher

LDB-420B/520B/720B

Semi-automatic packaging system with chain-type volumetric batchers

LDB-420C/520C/720C

Fully automatic packaging system with volumetric cups

LDB-420D/520D/720D

Powder automatic packaging machine

#### Option

- Double-servo devices, vacuum film feeding devices, hole-punching device, link bag device.

#### Feature

- New design with perfect fashion, more reasonable structure, more advanced technology.
- Longitudinal sealing is used by four sides with hot sealing type, bag is more beautiful and shape stabilization.
- Imported PLC control system, colorful touch screen, easy operation, intuitionistic and efficient.
- Standard positioning with imported servo film transporting system and mark sensor, superexcellent capability for complete machine, perfect packaging.
- With auto warning protection function to minimize loss.
- With double transporting devices, angle fold devices and retainer devices, Function more perfect.
- Various kinds of bag, it could provide the hang hole bag, link bag, etc.
- Automatic correct function, save time, labor, and film, the operation more intelligent.
- Adopt external film feeding mechanism. Film setting be more easy and quick.

#### Applications

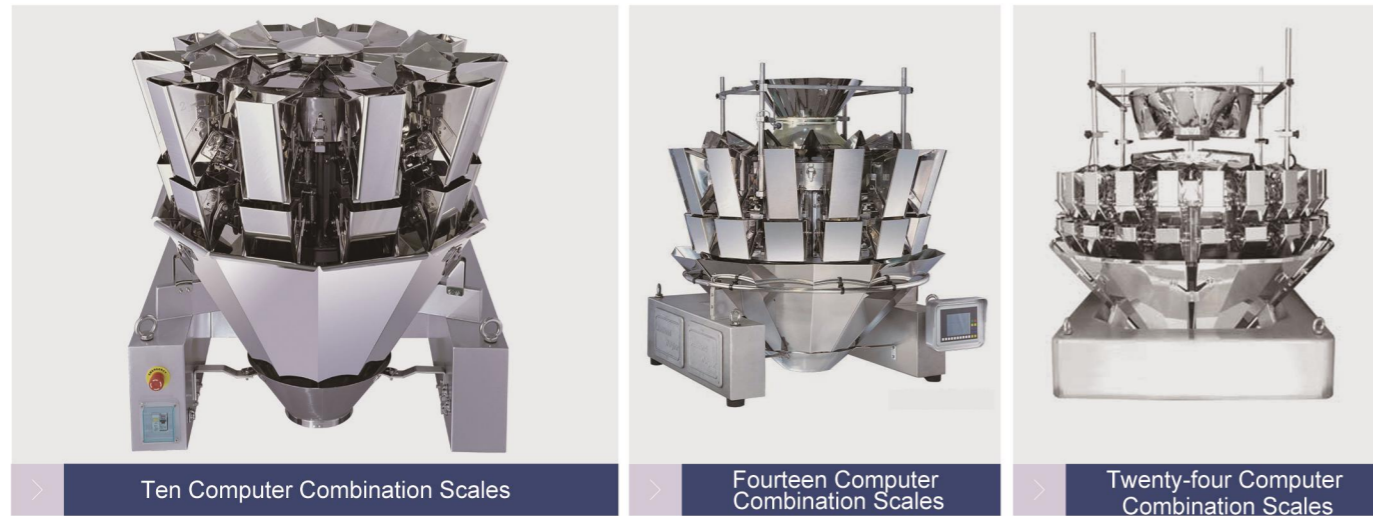
- Suitable for automatic packaging of various kinds of leavened food, candies, peanuts, seeds and such materials in grain or piece as well as powder like milk powder, washing powder, starch, etc.

#### Specifications

Type	LDB-420	LDB-520	LDB-720
Film width	150-Max.420mm	250-Max.520mm	260-Max.720mm
Bag length	80-280mm	80-350mm	80-420mm
Bag for Width	80-132mm	80-150mm	80-225mm
Bag for Width	20-66mm	35-90mm	40-115mm
Longitudinal sealing Width		5-10mm	
Packing speed	10-40bags/min		10-30bags/min
Measuring range	2000ml	4000ml	8000ml
Film thickness	0.04-0.08mm		
Power Supply	220V 50Hz 2.8KW	220V 50Hz 3.2KW	220V 50/60Hz 3.5KW
Machine size(L*W*H)	(L)1390X(W)1155X(H)800mm	(L)1492X(W)1255X(H)2184mm	(L)1590X(W)1500X(H)2408mm
Machine weight	about 600KG	about 700KG	about 800KG



## Combination Balance With Muti Computer



Ten Computer Combination Scales

Fourteen Computer Combination Scales

Twenty-four Computer Combination Scales

### Feature

- Combining the hi-precision and hi-rate can vote in the best compounding from the abundant weight compounding by computerizing. Hi-rate digital sensor can engage in a short time.
- Operation system of LCD with Chinese-English .
- All the parts adopt the stainless with clean and sanitation by the design of waterproof and dustproof. Design of complete airproof can prevent the material stacking and ease to clean.
- To adjust slightly the rate of the hopper door to avoid crashing and blocking the material.
- Self-diagnosis function.
- To fix directly above the packing machine and the structure is more close with better compatibility.
- To save a lot of raw material and the cost of labour force and get the return quickly.

### Applications

- All kinds of grain material, sheet material, strip material and abnormality material which such as candy, melon seeds, chips, peanut, nutlet, preserved fruit, jelly, biscuit, confection, camphorball, currant, almond, chocolate, filbert, cornpetfoodstuff, dilatant foodstuff, hardware and plastic can be weighed by the ration.

### Specifications

Type	LD-8	LD-10	LD-12	LD-14	LD-16
Film width	8	10	12	14	16
Bag length	10-600g	10-1000g	10-1000g	10-2000g	10-1000g
Bag width	±0.3-1.5g				
Product height	60bag/min	70bag/min	100bag/min	120bag/min	180bag/min
Film roll diameter	1300ml				
Packaging rate	Dual row memoryless bucket		Single row bucket	Dual row memoryless bucket	Dual row memoryless bucket
Power	99 Kinds				
Machine size	Fluorescent light display tube(256*64pixel)				10.4LCD display tube



Z-Type Bucket Elevator

### Technical advantages

- Suitable to transport the materials which is easy to crush.
- Adopt the food safety class plastic, to ensure the food safety.
- Easy to washing.
- Work stable low noise.

### Application

Suitable to deliver sheet, massive material etc, Such as food, feed and chemical industry.  
Conveyor to work through the chain of transmission with large lifting quantity



Slope Elevator

### Technical advantages

- The height, belt width & length and speed of conveyor can be customized.
- Simple structure, easy to install.
- Economical, wide range of applications.

### Application

- This conveyor is mainly used in bulk, grain food and the finished product.



Finished Product Conveyor Turn Table

### Technical advantages

- There are stainless steel frame and painted frame for choice.
- Belt and chain plate for customer to choose.
- The height of the finished product conveyor can be adjusted, the range is 0.55-0.8 (depend on different model).

### Application

- Transport the finished products to the inspection equipments or the package platform.



Vacuum Conveyor

### Technical advantages

- Feeding speed is fast.
- No leakage, clean hygiene.
- Simple structure, easy to install.
- Easy operation.



Finished product conveyor

### Technical advantages

- Line speed: 18 m/min
- Finished product conveyor frame material: it is made of 304 stainless steel, and the transmission part is made of steel surface treated with nickel or black and aluminum profiles, the contact food part is made of food grade 304 stainless steel.

## Mini Nitrogen Generator For Food Packaging

### Air purification part

1. First-class filters
2. Second-class filters
3. Frozen dehydrator
4. Third-class filters
5. Air storage tank
6. Effective degreaser

### Nitrogen separation part

1. O2/N2 separator
2. Nitrogen buffer tank
3. PLC controller
4. Outlet filters

### Air source

Air compressor



### Selection table of mini nitrogen for food packaging

Types and Specifications		Nitrogen-making Capacity Nm <sup>3</sup> /h	Power(W)	Purity%	Air input pressure	Nitrogen-making pressure Mpa	Shape Dimension mm
(TY-3)	Common type	3	500	≥99.5	0.8-1.0	0.1-0.65	570*570*950
	Luxury	3	500	≥99.5	0.8-1.0	0.1-0.65	600*580*1200
注: Note for two inflatable pillow packing machine supporting the displacement of air compressor: ≥0.4m <sup>3</sup> /min, soil content: 3ppm.							
(TY-3)	Common type	5	500	≥99.5	0.8-1.0	0.1-0.65	570*570*1200
	Luxury	5	500	≥99.5	0.8-1.0	0.1-0.65	600*580*1500
Note for two inflatable pillow packing machine supporting the displacement of air compressor: ≥0.6m <sup>3</sup> /min, soil content: 3ppm.							
(TY-3)		10	1000	≥99.5	0.8-1.0	0.1-0.65	1350*1200*1650
Note for pillow packing machine for four fire two sets of vertical packaging machine inflatable and the supporting air compressor displacement: ≥0.9m <sup>3</sup> /min, soil content: 3ppm.							
(TY-3)		10	1000	≥99.5	0.8-1.0	0.1-0.65	1400*1180*1670
Note for pillow packing machine for four fire two sets of vertical packaging machine inflatable and the supporting air compressor displacement: ≥1.25m <sup>3</sup> /min, soil content: 3ppm.							

## Weight Detecting Machine

### Features

- Adopt digital weighting unit which is advanced in the world, to realize high speed and stable numeration.
- Patented balance frame structure to make sure accuracy and stability.
- The touch screen operating system is liquid crystal display with the English-Chinese operator interface, which is convenient and easy to learn.
- Powerful data statistics function to record every unit of test data.
- Adopt adjustable type conveyor belt so that it's convenient to maintain.
- Self failure diagnosis, it will display the error when Ron/Ram, A/D phototube communicate abnormally.
- The standard weight has five divisions, which can save ten groups.



### Applications

- Suitable for test if per unit product weight match up with the value of goal set and substandard product will be rejected by sorting unit automatically.

### Specifications

Type	10-99g	100-200g	201-400g	401-999g	1000-10000g
rate	65bag/min	60bag/min	50bag/min	45bag/min	40bag/min
precision		±0.5g		±1g	±2g
Minimum scale		0.1g			±1g
Pre-design pattern		10种 (10kinds)			
Size		(L)1050*(W)681*(H)1260			
voltage		220V			
Power		300V			

## Dczj metal detector

### Features

- The body is made of stainless steel, which is beautiful in appearance, rust prevention and easy to clean.
- Analog design is combined with digital design, greatly improving reliability and intelligence.
- Adopt new touch screen input and large scale integrated circuit CPU collects analog signal.
- Adopt the set of user-friendly interface, ensuring that the entire operation is simple, human seen at a glance and all commands can be done by operating the interface.
- Dynamically and visually display the dynamic test results of Fe and SUS, the sensitivity of current automatically.



### Applications

- Apply to detect metal leakage (such as iron, copper, lead, stainless steel, etc) fallen in material and goods, and automatically.

### Specifications

Type	LD-100	LD-150	LD-200	LD-250	LD-300
Detecting window height(mm)	100	150	200	250	300
Effectivedetecting width(MAX)(mm)	400	400	440	440	440
Iron ball-steel ball(mm)	0.8-1.0	1.0-1.2	1.2-1.5	1.5-2.0	2.0-2.5
304-306(mm)	1.5-2.0	2.0-2.3	2.3-2.5	2.5-3.0	3.0-3.5
Frame material	Stainless steel	Stainless steel	Stainless steel	Stainless steel	Stainless steel

## Balance with four hopper

### Features

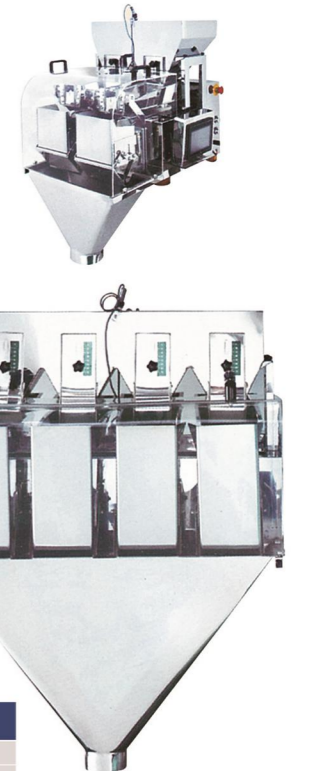
- Adopt digital sensor to realize the accuracy measure in a moment.
- Microcomputer control system adopts double vibration infeeding, importing instrumentation technology and easy operation.
- Due to the sealed balance body with full stainless steel, it has dustproof and anticorrosive function.
- The measure hopper can be disassembled quickly, cleaned and repaired conveniently.
- Combine with all kinds of repacking form follow requirements of clients, to expand the scope of weighing.
- High compatibility, it is easy to combine with other packaging machine.

### Applications

- Suitable for packaging granulated and powder material such as white sugar, salt, seed, rice, monosodium glutamate, fodder, milk powder, coffee powder, soybean, soybean, sesame, daily appliance and so on.

### Specifications

Type	LD-AX4-1	LD-AX4-2	LD-AX4-3
Weighing cap.(g)	5-300g	50-2000g	50-3000g
Accuracy	0.5-1g	1-2g	1-3g
Max.Speed	70wpm	50wpm	30wpm
Hopper Volume	500ml	3000ml	4500ml
Control panel		20	20
Max Mixing products		4	2
Power		1200w	1200w
Power requirements		220v/50/60Hz/6A	220v/50/60Hz/6A
Packing dimension(mm)		(L)1028X(W)1078X(H)825	(L)1215X(W)1156X(H)1025



# LD Automatic packaging solutions for grain foods

## LD-420A/520A/620A/720A

### Instructions

This packaging solution is suitable for large production packaging .  
Economical, save costs, small footprint. Horizontal rewind conveying the material, with large transportation.

### Option

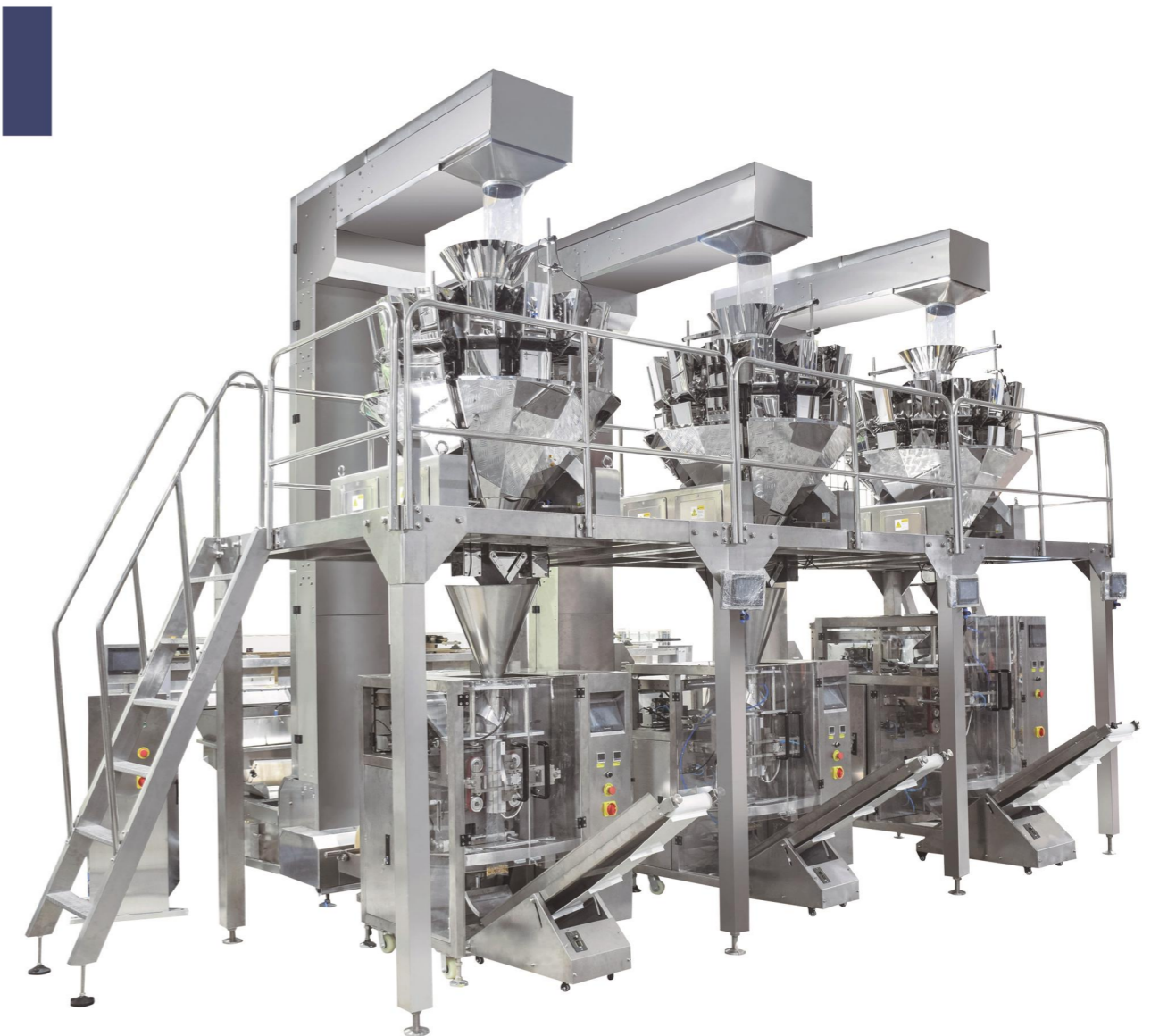
- 1 . LD series main frame
- 2 . Z type bucket elevator
- 3 . Finished product conveyer
- 4 . Multi-heads combination weigher
- 5 . Support platform

### Feature

- Complete set of equipment control, automatic control of feeding, packaging without material, stable operation of equipment and low loss.
- The machine complete the whole process of automatic feeding, measuring, filling, bag making, vacuum, date printing and finished product output automatically.
- LD series packaging machine is the earliest mature machine, and has the largest sales volume in domestic and export in more than ten years.
- Material conveyor design is simple, smooth and quiet.
- From the design to the rational use of materials, the platform is stable and safe, so that the accurate measurement of the combined scale will not be affected.
- The product can be connected before the production line, the finished product can be rechecked directly, the metal inspecting machine can test it. Then the carton packaging line can be connected to form a complete package line, which saves a lot of cost.

### Applications

- It's suitable to use in packaging the high accuracy and easy fragile mate ria such as: puffy food, crispy rice, jelly, candy, pistachio, apple slices, dumpling, chocolate, pet food, small hardwares. Medicine, etc.



### Specifications

Type	LD-420	LD-520	LD-620	LD-720
Film width	Max.420mm	Max.520mm	150-Max.620mm	150-Max.720mm
Bag length	80-300mm	80-350mm	100-450mm	100-500mm
Bag width	60-200mm	100-250mm	65-300mm	65-350mm
Film roll diameter	Max.320mm	Max.320mm	Max.320mm	Max.320mm
Packing speed	5-60bag/min	5-60bag/min	5-45bag/min	5-40bag/min
Making-bag volume	2000ml	4000ml	8000ml	14000ml
Film thickness	0.04-0.12mm	0.04-0.12mm	0.04-0.12mm	0.04-0.12mm
Power Supply	220V,50/60Hz,3KW	220V,50/60Hz,3KW	220V,50/60Hz,3.2KW	220V,50/60Hz,3.5KW
Machine size	(L)1217X(W)1015X(H)1343mm	(L)1488X(W)1080X(H)1490mm	(L)1488X(W)1180X(H)1550mm	(L)1780X(W)1350X(H)2050mm



**LD** Full automatic packaging machine with select and detector combined with computer combination weigher

LD-420A/520A/620A/720A



**Option**

- |                            |   |                               |
|----------------------------|---|-------------------------------|
| 1.Z Type Material Conveyor | 2. Multi-head combined electronic scale | 3. Combination Scale Platform |
| 4. LD Series Host          | 5. Product Conveyor                     | 6. Weight Selection Scale     |
| 7. Metal detector          | 8. Disc dresser                         |                               |

**Feature**

- The machine complete the whole procedure of feeding, measu ring,bagging, date printing, charging(exhausting), product out-putting.aslo can Select the required weight of the products and will remove the weight of product what is substandard. detect metal and will alarm removed. multiple-stage packaging process automatically.
- Highly automated operation, truly reflect the rationality of the automated packaging.
- High precision, high efficiency without crash the mate rials.

**Applications**

- It's suitable to use in packing the high accuracy and easy fragile mate ria such as: puffy food, crispy rice, jelly, candy, pistachio, apple slices, dumpling, chocolate, pet food, small hardwares. Medicine, etc.

**LD** Full automatic packaging machine combined with computer combination weigher

LD-420A/520A/620A/720A



**Option**

- |                       |                     |                              |                                 |
|-----------------------|---------------------|------------------------------|---------------------------------|
| 1 . LD series machine | 2 . Z type conveyor | 3. Finished protuct conveyor | 4. 10 heads combination weigher |
|-----------------------|---------------------|------------------------------|---------------------------------|

**Feature**

- This machine is linkage control, automatic feeding, no packaging without materials, work stable.
- This machine had applied the servo film pulling system, advanced design, easy to operate & maintain,the price is competitive.
- This machine is both domestic & foreign best seller in the past 10 years.Material conveyor design simplicity, work stable and quite.
- The platform is sold will not affect the measurement accuracy of the combination weigher.
- It can match with other equipment, such as production line,metal detector, check weigher, case packer, save labor cost.

**Applications**

- It's suitable to use in packaging the high accuracy and easy fragile mate ria such as: puffy food, crispy rice, jelly, candy, pistachio, apple slices, dumpling, chocolate, pet food, small hardwares. Medicine, etc.

# LD LD-Series 4 head linear scale packaging machine

## LD-420AS/520AS/620AS/720AS

### Option

- 1 . LD series main frame
- 2 . Z type bucket elevator
- 3 . Finished product conveyor
- 4 .Linear electronic scale

### Feature

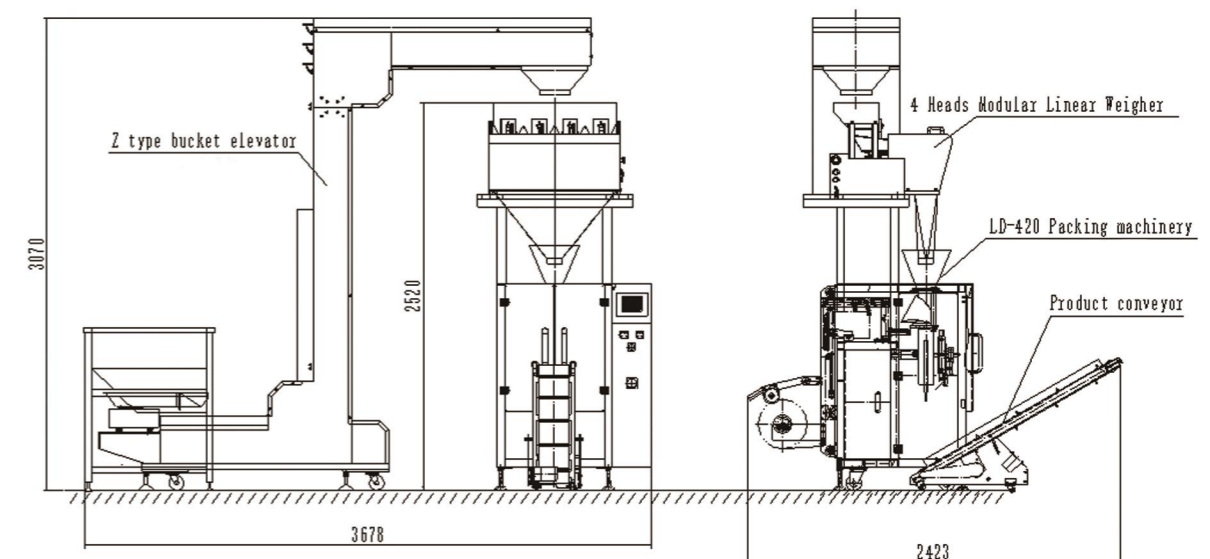
- New high set according to modular control system.
- Amplitude of automatic adjustment function, debugging more convenient.
- Can weigh a variety of different materials at the same time, the realization of mixed material package.
- According to the production situation can directly modify the parameters in the running, easy operation.
- Adopts stepless vibration machine feed system, make the material more evenly, weighing range greater all adopt the stainless steel materials, clean health.
- With a pneumatic door opener, and can realize the vibration feeding machine will be automatically closed.
- And material contact parts (storage hopper, hopper, vibration plate, weighing hopper, etc.) are to realize fast disassembly, particularly convenient clean.

### Applications

- It is suitable for weighing white sugar, salt, seeds, rice, sesame, monosodium glutamate, chicken essence, milk powder, coffee, seasoning powder powdery and small granular materials.

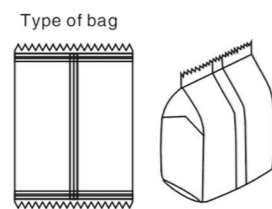
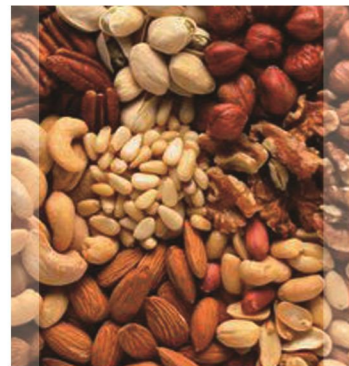
### Specifications

Type	LD-420	LD-520	LD-620	LD-720
Film width	Max.420mm	Max.520mm	150-Max.620mm	150-Max.720mm
Bag length	80-300mm	80-350mm	100-450mm	100-500mm
Bag width	60-200mm	100-250mm	65-300mm	65-350mm
Film roll diameter	Max.320mm	Max.320mm	Max.320mm	Max.320mm
Packing speed	5-60bag/min	5-60bag/min	5-45bag/min	5-40bag/min
Making-bag volume	2000ml	4000ml	8000ml	14000ml
Film thickness	0.04-0.12mm	0.04-0.12mm	0.04-0.12mm	0.04-0.12mm
Power Supply	220V,50/60Hz,3KW	220V,50/60Hz,3KW	220V,50/60Hz,3.2KW	220V,50/60Hz,3.5KW
Machine size	(L)1217X(W)1015X(H)1343mm	(L)1488X(W)1080X(H)1490mm	(L)1488X(W)1180X(H)1550mm	(L)1780X(W)1350X(H)2050mm
Remarks	Optional air filling device/Optional angle folding device			
Film material	BOPP/CPP, BOPP/VMCPP, BOPP/PE, PET/VMPET/PE, PET/AL/PE, PET/PET ETC.			



## LD Full automatic packaging machine combined with volumetric cups

### LD-420C/520C/720C



#### Option

- Necessary LD series main frame Measuring cups device
- Option Material elevator Product conveyor

#### Feature

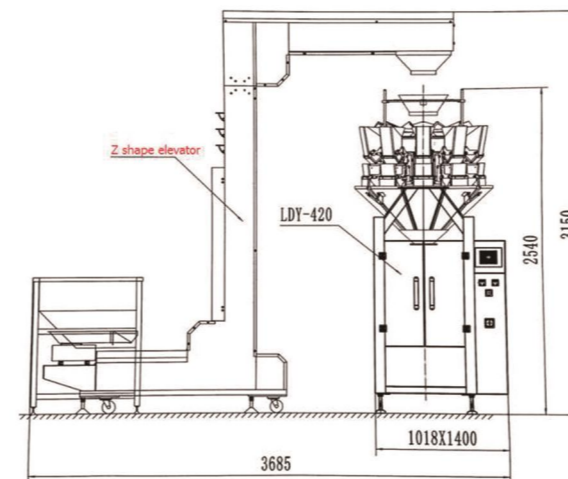
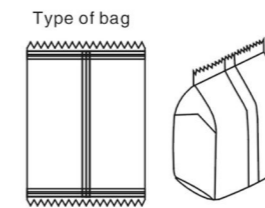
- It completes the whole procedure of feeding, metering, bagging, date printing, charging(exhausting), product out-putting automatically.
- A complete set of equipment is economical.
- The volumetric cups can be made to open-close model measure equipment.

#### Applications

- Bulk grain, slice, short bar material products such as puffy food, shrimp chip rice, sunflower seed, seed, peanut.

## LD Full automatic packaging machine with computer combination weighter

### LD-420Y/520Y/620Y/720Y



#### Option

- Two synchronous belt device, angle fold device, automatic rectifying device hole-punching device, link bag device.

#### Feature

- New design with perfect fashion, more reasonable structure, more advanced technology.
- Imported PLC control system, colorful touch screen, easy operation, intuitionistic and efficient.
- Standard positioning with imported servo film transporting system and mark sensor, super excellent capability for complete machine, perfect packaging.
- With auto warning protection function to minimize loss.
- Various kinds of bag, it could provide the pillow bag, angle fold bag, hang hole bag, link bag, etc.

#### Applications

- Applied to packaging the high accuracy and easy fragile material, such as: Beans, tea, sugar, salt, fresh and dried fruit, potato chips, puffed food, rice, candy, pistachio, dupling, chocolate, pet food, small hardware, detergent powder etc.

# LD Automatic powder packaging machine

## LD-420D/520D/620D/720D

### Option

- 1 . LD packaging machine      2 . Screw conveyor      3. Auger filler      4 . Finished Product Conveyor(optional)

### Feature

- By screw machine complete measuring, filling, etc., suitable for measuring powder material.
- The servo drive system, has the advantages of high precision, stable performance.
- Stainless steel open container clean and convenient.
- Equipped with safety protection so as to meet the requirements of enterprise safety management.
- Intelligent temperature control, accurate temperature control, ensure nice flat seal.
- PLC double pull or single tensile membrane structure chart system, motor sealing and cutting positions adopt automatic correction device.
- Constitute a large display touch screen drive control core, maximum limit to improve the control precision, reliability and the intellectualized degree of the machine.
- The machine and measuring configuration can be done automatically measuring, feeding, filling bag, inflatable (exhaust), date printing, full packaging process and automatic counting.
- Perfect automatic alarm protection function, minimize loss, help timely troubleshooting.
- Packaging design diversified, back closure, Angle, bag, punching, etc.

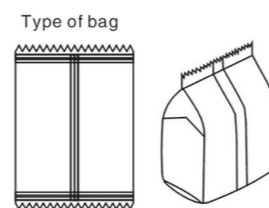
### Applications

- The D set packing machine is suitable to packaging powder, such as milk powder, coffee powder, tea powder, face mark powder, spices, sweet flour, flour etc.

### Specifications

Type	Specification
Measuring range	10-5000g
Metering speed	10-50bags/min
Metering accuracy	+2%
Metering weight	80kg
Total power	220V,50/60Hz,2KW
Machine dimension	300X890X1640mm
Bag length	80-300mm
Bag width	60-200mm
Film roll diameter	Max.320mm
Packing speed	5-60bags/min

Note: Speed is related to product characteristics and quality



### Parts



Auger metering machine

Screw Metering Machine	
ZV-15L	0.5-220g
ZV-30L	10-500g
ZV-50L	50-5000g
ZV-100L	100-25000g

220V, 50/60Hz, 2KW



Screw auger conveyor

Type	Pipe Diameter	Flow	Capacity
ZV-YL60	Φ89	1m³/h	60L
ZV-YL180	Φ114	3m³/h	280L
ZV-FL400	Φ141	5m³/h	400L
ZV-FL700	Φ159	7m³/h	700L

Three-phase 380V, 50/60Hz, 4KW (Standard)  
Single-phase 220V, 50/60Hz, 4KW

## LD Semi-automatic packaging machine combined with chain buckets

LD-420B/520B/720B



### Option

- LD series main frame
- Manual feeding conveyor
- Product conveyor

### Feature

- Material measuring by manual.
- It's convenient to input prize, lottery and uneasy measuring material or multi-type packaging products.
- A complete set of machines are economical and practical.

### Applications

- Fragile material: Chips, shrimp slices, crispy rice.
- Uneasy measuring material: candy jelly, bean sprouts, tea leaves, dumpling.
- The pouch bag into big bag of drugs, commodity, daily use. Food, small hardwares etc.

## LD Automatic liquid packaging machine

LD-420L/520L



### Option

- 1 . LD basic machine
- 2 . Small type filling pump(50-500ml)
- 3 . Large type filling pump(500-5000ml)
- 4 . Liquid measuring pump
- 5 . Middle type filling pump(100-1000ml)

### Feature

- The packaging machine matched with liquid pump or paste pump,can pack different liquid or cream automatically.
- The whole system is linkage control, automatic feeding,stop working without materials.
- The contact parts with food is made of 316# high quality stainless steel, it will never get rust.

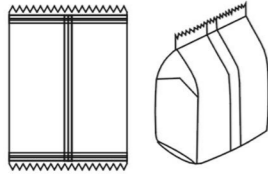
### Applications

- Suitable for normal type, half ropy type, high ropy type liquid items, such as ketchup, peanut butter, shampoo, cream, edible oil, jam, milk, juice, etc.

## LD Counting packaging machine for different material in one bag

LD-320Z

Type of bag



### Option

- 1.Hot stamp ribbon coder
- 2.Product conveyer

### Feature

- Custom-tailored vibration plates for screw sample, liner vibration arrange device and high precision counting device.
- Vibration feeding screw to count, counting accurate.
- Step motor control combines with coding tracking system, cutting right.
- Single-chip microcomputer control system, self-diagnosis, automatic stop when fault, automatic alarm.  
Auto display package quantity, easy operate and safety.  
Machine can automatic finish counting, making bag, filling, sealing and cutting.

### Applications

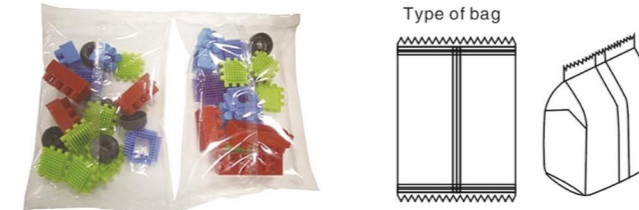
- Suitable for automatic counting and packing machine for screws, nail, bolt, nut, gasket, bearings, glass parts, plastic parts, furniture accessories, toy accessories, blind nut, gasket, hardware and plastic parts' etc.

## LD Counting packaging machine for different material in one bag

LD-420Z



Type of bag



### Option

- 1.Two synchronous belt device
- 2.Air filling device
- 3.Angle fold device
- 4.Automatic rectifying device
- 5.Hole-punching device
- 6.Link bag device

### Feature

- Liquid automatic packaging machineHigh precision structure for simple and easy operating and repairing.
- Single-chip CPU,step-motor,easy and accurate to set the bag length.
- Own simple circuitry and outstanding function.
- Be able to complete the whole procedure of filling,bagging,date printing,charging(exhausting) automatically.

### Applications

- Application: Automatic counting and packing for small fastener, screw, nut bolt, small round or long products, etc.

# LD Multi-line granule packaging machine

## LD-G4L/G6L/G8L/G10L/G12L

### Option

- 1 . Date printer
- 2 . Circular bead cutting and easy open device
- 3 . Hole-pouching device
- 4 . Regular bags cutting
- 5 . Nitrogen filling

### Feature

- Finish packaging procedure of multilane products by smart control, includes film providing automatically,slitting,forming,measuring, filling, sealing,cutting,date printing and so on.
- Advanced PLC control system,humanized touch screen display make operation easy and parameter setting convenient.Show production information institutionally,and with auto?warming,auto stopping,auto diagnose functions,operation safe and maintenance conveniently.
- Imported high sensitivity electric eye trace and position printingcursor automatically,when pack materials with color batch,we can get complete trademark and pattern.
- Adopt volumetric vibration filling method, high packaging accuracy, easy to clean.
- Horizontal sealing film system by advanced servo control makes bag pulling more precisely.
- Auto hobbing cutter film parting system is not easy to wear,film parting more precise.
- High precision temperature control system makes sealing more stable and beautiful.
- Western appearance design,open type electric box make cleaning and maintenance mor convenient.All-round safety door makes operation safer.

### Applications

- It is suitable for weighing white sugar, salt, seeds, rice, sesame, monosodium glutamate, chicken essence, milk powder, coffee, seasoning powder powdery and small granular materials.

### Packing samples show



### Specifications

Type	LD-G4L	LD-G6L	LD-G8L	LD-G10L	LD-G12L
Film width	4-lanes	6-lanes	8-lanes	10-lanes	10-lanes
Bag width	12-90mm	12-60mm	12-45mm	12-35mm	13-35mm
Bag length	40-165mm				
Packing speed	30-50Packet / Sub / Column ( It depends on the material )				

# LD Multi-line powder packaging machine

## LD-P4L/P6L/P8L/P10L

### Option

- 1 . Date printer
- 2 . Circular bead cutting and easy open device
- 3 . Hole-pouching device
- 4 . Regular bags cutting
- 5 . Nitrogen filling

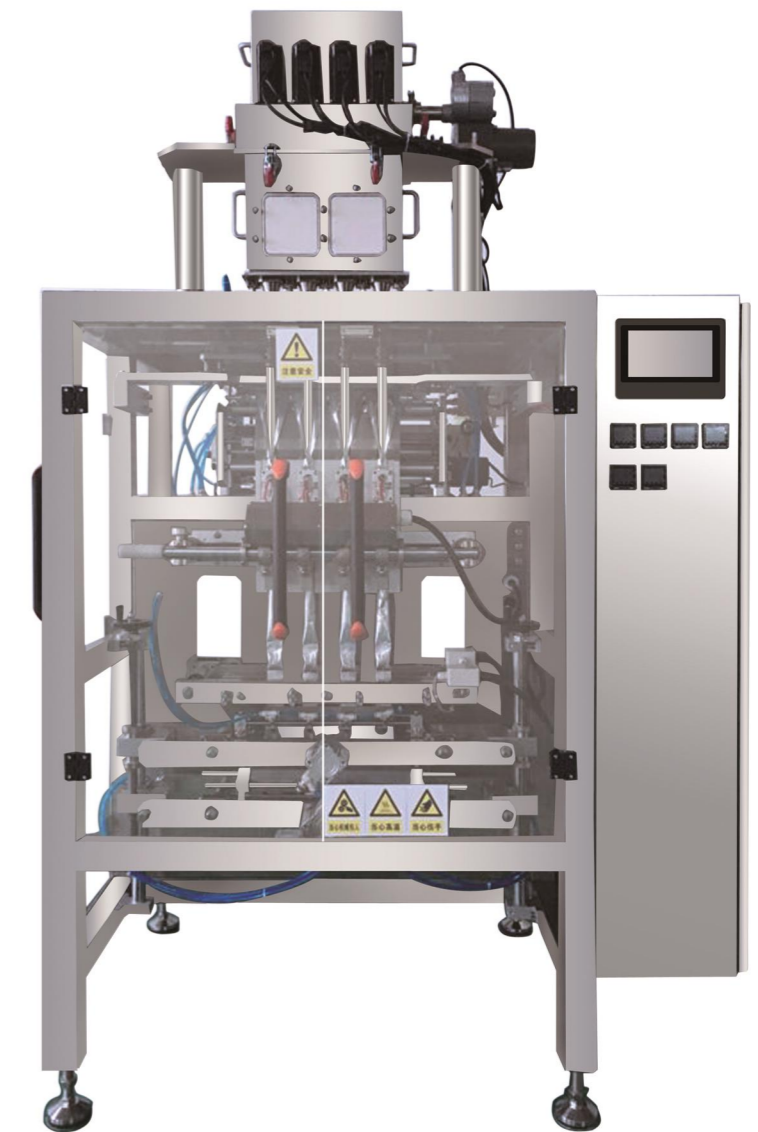
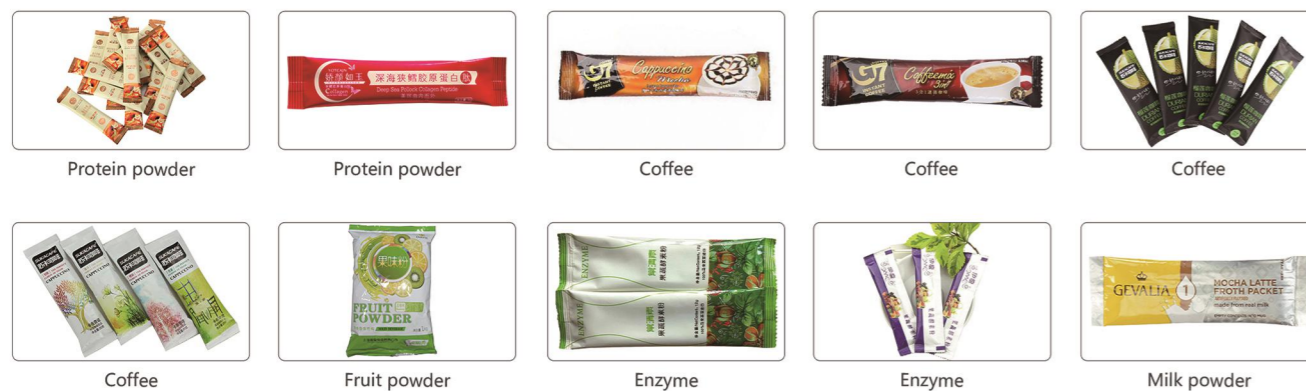
### Feature

- Finish packaging procedure of multilane products by smart control, includes film providing automatically,slitting,forming,measuring,filling , sealing,cutting,date printing and so on.
- Advanced PLC control system,humanized touch screen display make operation easy and parameter setting convenient.Show production information institutionally,and with auto warming,auto stopping,auto diagnose functions,operation safe and maintenance conveniently .
- Imported high sensitivity electric eye trace and position printing cursor automatically, when pack materials with color batch,we can get complete trademark and pattern.
- High precision servo motor controls screw filling,makes packing highly precision and easy to clean.
- Horizontal sealing film system by advanced servo control makes bag pulling more precisely.
- Auto hobbing cutter film parting system is not easy to wear,film parting more precise.
- High precision temperature control system makes sealing more stable and beautiful.
- Western appearance design,open type electric box make cleaning and maintenance mor convenient.All-round safety door makes operation safer.

### Applications

- The D set packaging machine is suitable to packaging powder, such as milk powder, coffee powder, tea powder, face mark powder, spices,sweet flour, flour etc.

### Packing samples show



### Specifications

Type	LD-P4L	LD-P6L	LD-P8L	LD-P10L
Film width	4-lanes	6-lanes	8-lanes	10-lanes
Bag width	16-90mm	16-60mm	16-45mm	16-35mm
Bag length	40-165mm			
Packing speed	30-50Packet / Sub / Column ( It depends on the material )			



# LD Multi-line liquid packaging machine

## LD-L4L/L6L/L8L/L12L

### Option

- 1 . Date printer
- 2 . Circular bead cutting and easy open device
- 3 . Hole-pouching device
- 4 . Regular bags cutting
- 5 . Nitrogen filling

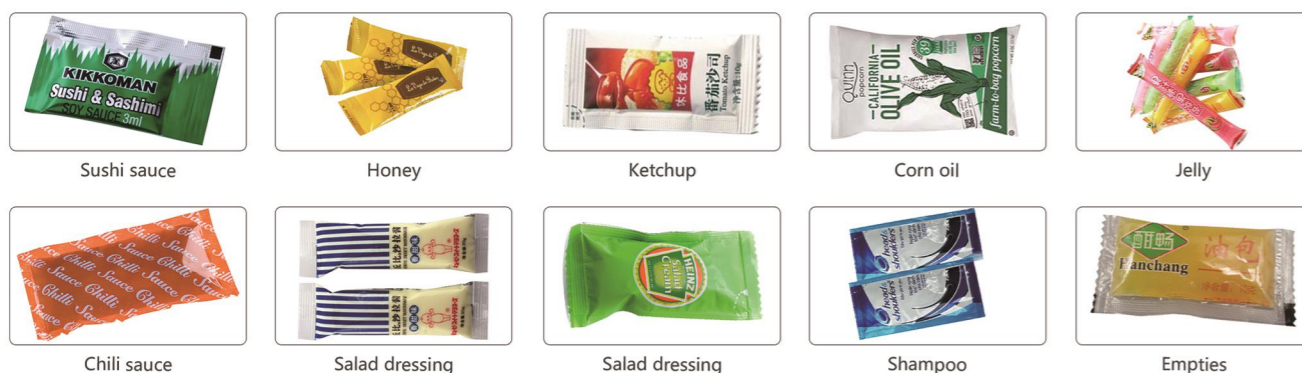
### Feature

- Finish packaging procedure of multilane products by smart control, includes film providing automatically, slitting, forming,measuring, filling, sealing, cutting, date printing and so on.
- Advanced PLC control system,humanized touch screen display make operation easy and parameter setting convenient.Show production information institutionally,and with auto warming, auto stopping,auto diagnose functions,operation safe and maintenance conveniently.
- Imported high sensitivity electric eye trace and position printingcursor automatically,when pack materials with color batch,we can get complete trademark and pattern.
- Adopt pneumatic piston pump measurement method, easy adjustment, high packaging accuracy and easy clean.
- Horizontal sealing film system by advanced servo control makes bag pulling more precisely.
- Auto hobbing cutter film parting system is not easy to wear,film parting more precise.
- High precision temperature control system makes sealing more stable and beautiful.
- Western appearance design,open type electric box make cleaning and maintenance mor convenient. All-round safety door makes operation safer.

### Applications

- Suitable for nomal type, haft ropy type, high ropy type liquid items, such keychup, peanut butter, shanpoo, scream, edible oil, jam, milk, juice. etc .

### Packing samples show



### Specifications

Type	LD-L4L	LD-L6L	LD-L8L	LD-L10L	LD-L12L
Film width	4-lanes	6-lanes	8-lanes	10-lanes	10-lanes
Bag width	12-90mm	12-60mm	12-45mm	12-35mm	13-35mm
Bag length	40-165mm				
Packing speed	20-40Packet / Sub / Column ( It depends on the material )				
Measuring range	10-100ml				

## LD Rotary packaging machine

### LD-8200

#### Option

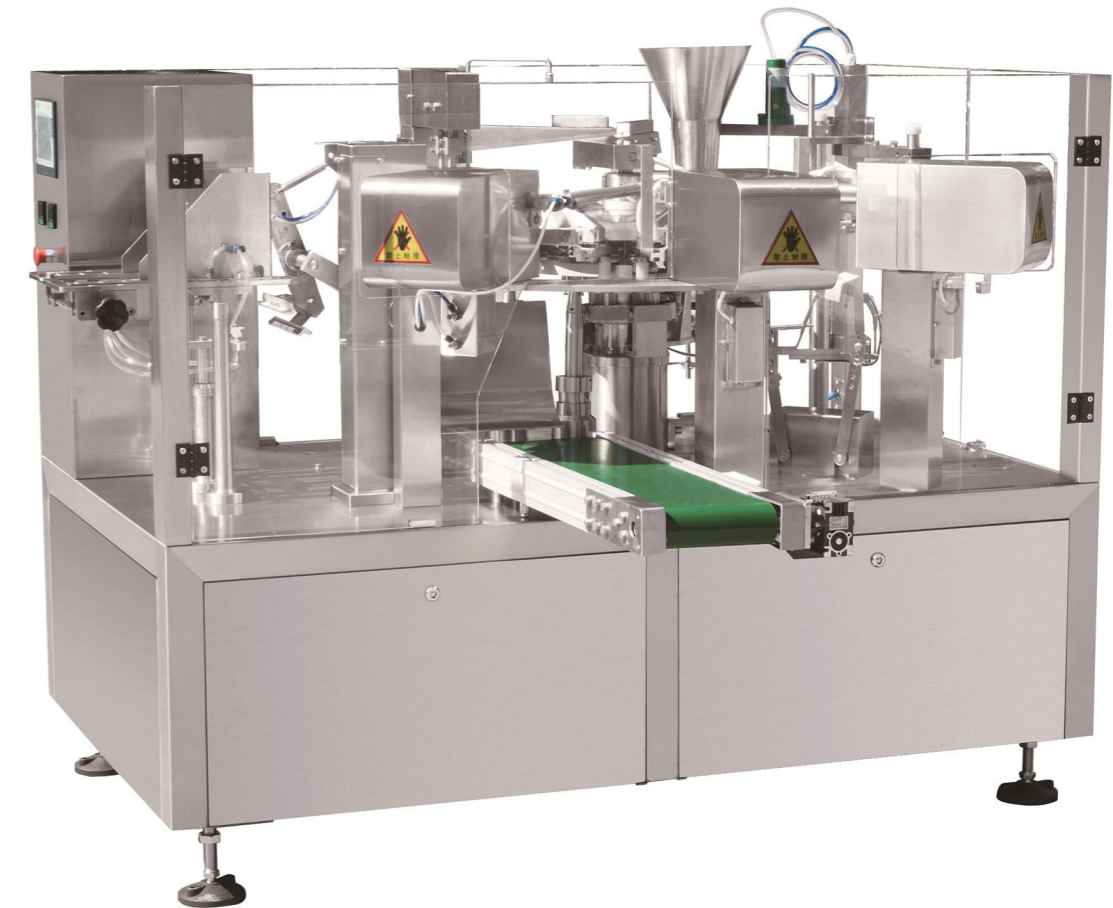
- |                  |                           |                            |                      |
|------------------|---------------------------|----------------------------|----------------------|
| 1 . Code printer | 2 . PLC control system    | 3 . Bag opening device     | 4 . Vibration device |
| 5 . Cylinder     | 6 . Electromagnetic valve | 7 . Temperature controller | 8 . Vacuum pump      |
| 9 . Inverter     | 10 . Output system        |                            |                      |

#### Feature

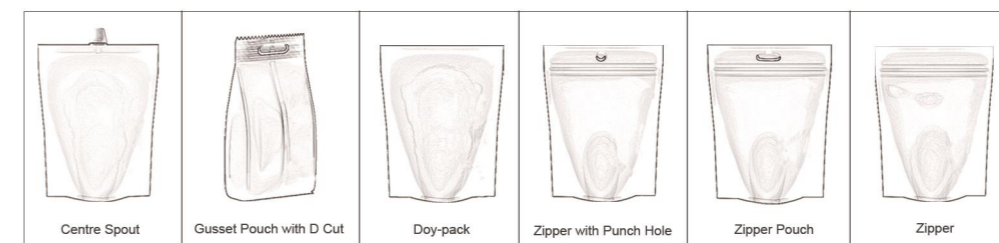
- Rapid change of the specifications of the bag, bag width can be automatically adjusted by one button.
- Single shaft and the CAM design: packaging speed faster; more stable operation ; maintenance easier and reduce defective rate.
- Modular heating, temperature control more accurate, heating fault have alarm prompt.  
Advanced design idea, reduce the material loss, ensure the stability of equipment operation, extend the operating life of the equipment.
- Simple and convenient operation, adopts the advanced PLC + POD (touch screen) electric control system and man-machine interface.
- Machine have wide packaging range , it can packaging : liquid, paste, granule, powder, solid various bagging materials only. According to the different material with different metering device.
- Machine use preformed bags & packaging design is perfect & good sealing quality to improve the quality and grade of the product.

#### Applications

- Block material: bean curd cake, fish, eggs, candy, red jujube, cereal, chocolate, biscuit, peanut, etc.
- Granular type: crystal monosodium glutamate, granular drug, capsule, seeds, chemicals, sugar, chicken essence, melon seeds, nut, pesticide, fertilizer.
- Powder type: milk powder, glucose, monosodium glutamate, seasoning, washing powder, chemical materials, fine white sugar, pesticide, fertilizer, etc.
- Liquid/paste type: detergent, rice wine, soy sauce, rice vinegar, fruit juice, beverage, tomato sauce, peanut butter, jam, chili sauce, bean paste.
- Class of pickles, pickled cabbage, kimchi, pickled cabbage, radish, etc.
- Other bagging materials.



#### Seal style



#### Specifications

Type	LD-8200
Packing material	3-side, four edge-sealing bag, self-reliance bag, handbag, spout bags, zipper bag, compound bag, etc.
size	W : 70-200mm
Filling range	10-1000g
Packing speed	40-60bag/min ( speed is determined by the product filling quantity )
Average precision	±1%
Total power	2.5KW
Work flow	giving bag→coding →opening →filling 1 →filling 2→ auxiliary→ exhaust→heat sealing→forming and output product
Dimensions	1900mm X 1570mm X 1700mm ( L*W*H )

# LD Rotary packaging machine

## LD-8250

### Option

- |                  |                           |                            |                      |
|------------------|---------------------------|----------------------------|----------------------|
| 1 . Code printer | 2 . PLC control system    | 3 . Bag opening device     | 4 . Vibration device |
| 5 . Cylinder     | 6 . Electromagnetic valve | 7 . Temperature controller | 8 . Vacuum pump      |
| 9 . Inverter     | 10 . Output system        |                            |                      |

### Feature

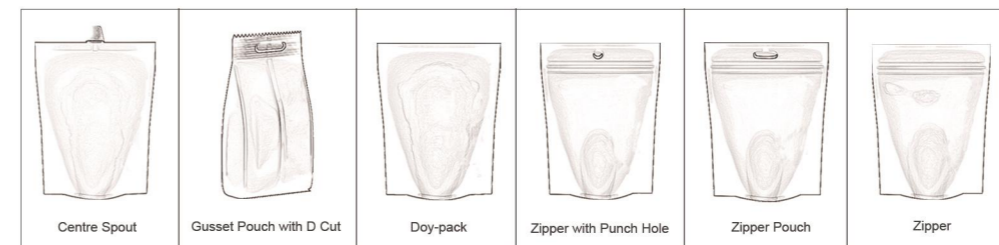
- Rapid change of the specifications of the bag, bag width can be automatically adjusted by one button.
- Single shaft and the CAM design: packaging speed faster; more stable operation ; maintenance easier and reduce defective rate.
- Modular heating, temperature control more accurate, heating fault have alarm prompt.
- Advanced design idea, reduce the material loss, ensure the stability of equipment operation, extend the operating life of the equipment.
- Simple and convenient operation, adopts the advanced PLC + POD (touch screen) electric control system and man-machine interface.
- Machine have wide packaging range , it can packaging : liquid, paste, granule, powder, solid various bagging materials only. According to the different material with different metering device.
- Machine use preformed bags & packaging design is perfect & good sealing quality to improve the quality and grade of the product.

### Applications

- Block material: bean curd cake, fish, eggs, candy, red jujube, cereal, chocolate, biscuit, peanut, etc.
- Granular type: crystal monosodium glutamate, granular drug, capsule, seeds, chemicals, sugar, chicken essence, melon seeds, nut, pesticide, fertilizer.
- Powder type: milk powder, glucose, monosodium glutamate, seasoning, washing powder, chemical materials, fine white sugar, pesticide, fertilizer, etc.
- Liquid/paste type: detergent, rice wine, soy sauce, rice vinegar, fruit juice, beverage, tomato sauce, peanut butter, jam, chili sauce, bean paste.
- Class of pickles, pickled cabbage, kimchi, pickled cabbage, radish, etc.
- Other bagging materials.



### Seal style



### Specifications

Type	LD-8250
Packing material	3-side, four edge-sealing bag, self-reliance bag, handbag, spout bags, zipper bag, compound bag, etc.
Size	W : 100-250mm
Filling range	20-2500g
Packing speed	40-60bag/min ( speed is determined by the product filling quantity )
Average precision	≤±1%
Total power	2.5KW
Work flow	giving bag→coding →opening →filling 1 →filling 2→ auxiliary→ exhaust→heat sealing→ .forming and output product
Dimensions	1900mm X 1570mm X 1700mm ( L*W*H )

# LD Vertical automatic packaging machine

## LD-240/320/380



**LD-320A/LD-380A**  
Full automatic packaging machine with measuring cups equipment



**LD-320B/LD-380B**  
Semi-automatic packaging machine with chain-type batchers



ZV-320S triangle seal's horizontal seal  
**LD-320S**

Metering volume :100-300ml  
Metering speed :10-30bag/min  
Metering accuracy : ± 3%



**LD-240A**  
Grain automatic packaging machine



**LD-240D**  
Powder automatic packaging machine



**LD-240L**  
Liquid automatic packaging machine



**LD-320AB/LD-380C**  
Fully automatic packaging machine with volumetric cups and chain-type volumetric batchers



**LD-320D/LD-380D**  
Powder automatic measure packaging machine



**LD-320L/LD-380L**  
Liquid automatic packaging machine

### Seal style



# Vertical auto packaging machine

### Option

- 1 . Hot stamp ribbon coder
- 2 . Batch cutter
- 3 . Vacuum loader
- 4 . On-line check weighing with auto feedback weight

Type	LD-240	LD-320	LD-380	LD-320S
Film width	120-320mm	120-320mm	180-380mm	80-220mm
Bag length	40-120mm	50-200mm	60-280mm	50-200mm
Bag width	40-120 mm	50-150 mm	60-180mm	30-100mm
Film roll diameter	Max.300mm	Max.300mm	Max.320mm	320mm
Packaging rate	5-80bag/min	35-70bag/min	35-70bag/min	20-70bag/min
Measuring range	Max.50ml	50-500ml	50-500ml	5-200ml
Film width	0.04-0.08mm	0.04-0.07mm		0.04-0.1 2mm
Power Supply	220V 50Hz 2.2KW	220V 50/60Hz 2.2KW	220V 50/60Hz 2.5KW	220V 50Hz 2.OKW
Machine size	(L) 700X (W) 580x (H) 1550mm	(L) 970X (W) 680x (H) 1950mm	(L) 1100x (W) 800X (H) 21 50mm	(L)970x (W) 825X (H) 2020mm
Machine quality	about 200kg	about 300kg	about 450kg	about 300kg

### Feature

- High precision structure for simple and easy operation and repair.
- PLC touch screen, step motor control, easy and accurate to set the bag length.
- It's owns simple circuitry and outstanding function.
- The machine completes the whole procedure of filling, bagging, date printing,charging (exhausting) automatically.
- Selecte device: Linked bags device.

### Applications

- Suitable for packaging of various kinds of puffed food, shrimp bars candies, peanuts, popcoms, rice and such materials in grain or piece.

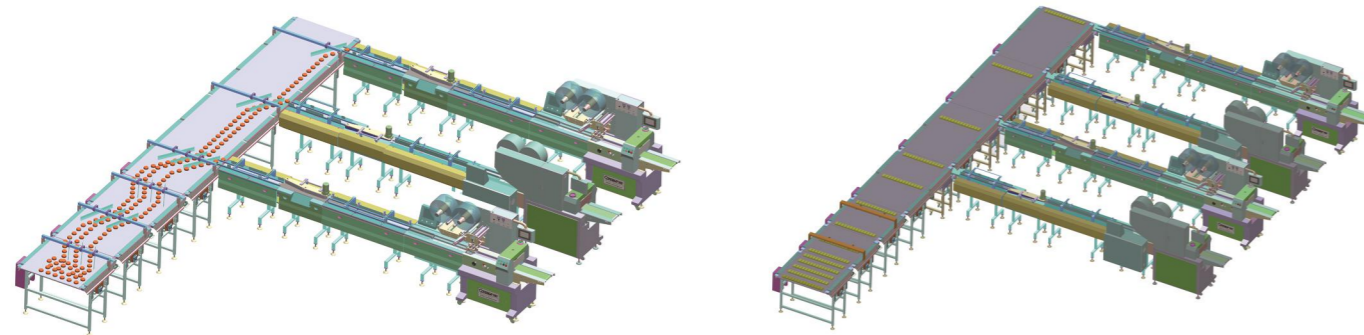


## Fully automatic feeding and packing system

This packaging system can reorder and feed product in packaging machine full automatically.

### Product producing process:

baking, cutting, squeezed.



Lateral fraction one-three material

Subsided bedding material

### Main Performance and Structural Characteristics

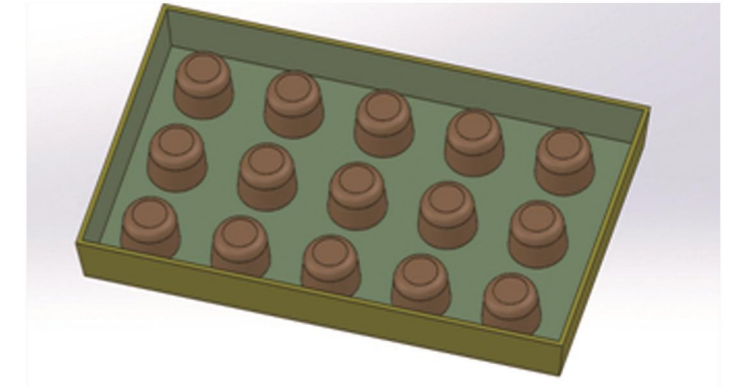
- Aligning, feeding and packaging automatically without man-power operation .
- Disk transportating machine and positioning feeding machine operate separately. Varied speed is adjustable.
- It integrates with our KT series basic packing machine .
- Minimizing secondndary pollution of products due to traditional man-power arrangement.
- Disk transportation plate correctly aligns high speed up to 300 bags/min, high efficiency.
- Smart machine structure require low maintenance. Easy to install quickly without using any tool, ensuring food safe and healthy.
- Different product require different machine structure and different conveyor system in different outlet.



## Baking

### Revolving bake oven

biscuit, bread.  
Range type: ranging machine, manual range.



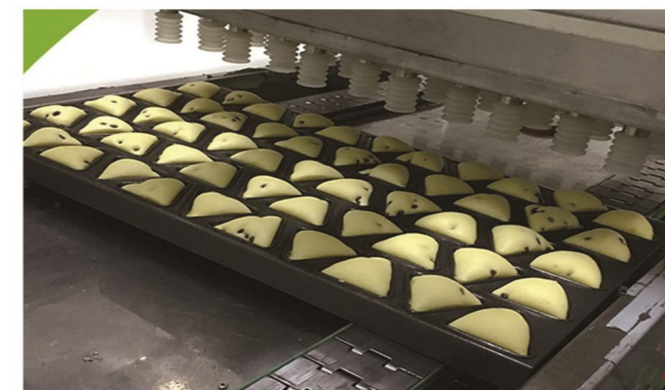
### Tunnel oven

All kinds of biscuits, bread, cookies.  
Outlet type: absorb type, overturn type, scrap off type.

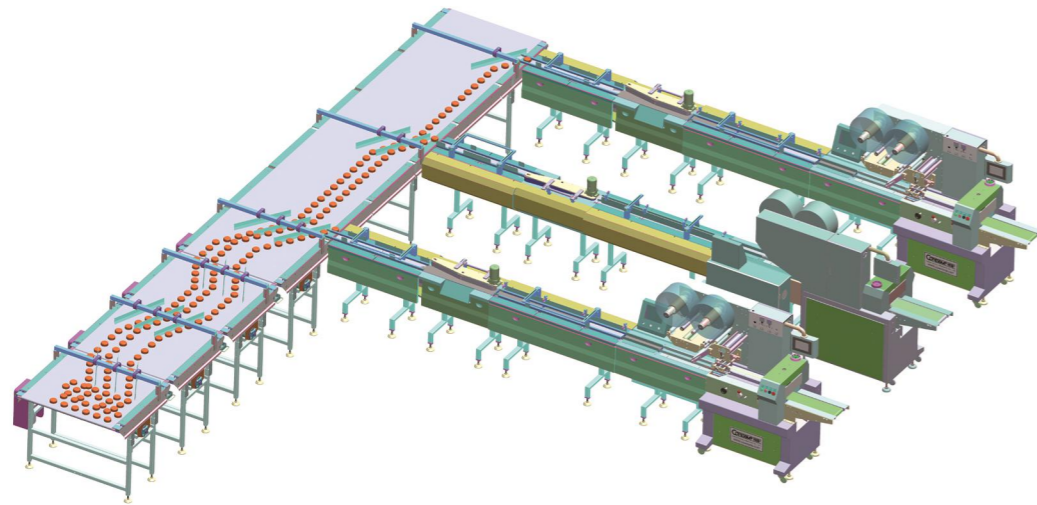


### Product features

Outlet product features: absorb type is orderly.  
Overturn type is disorder. Scrap off type is random.



## Lateral Fraction One-three Material



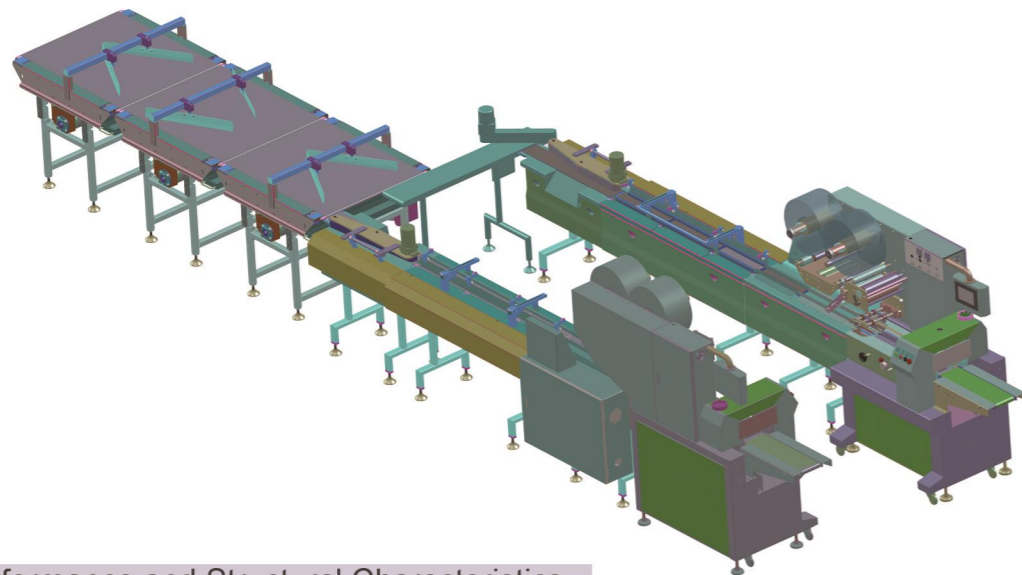
### Main Performance and Structural Characteristics

Packaging speed for each machine: 280BPM, Combined parts: distance adjusted conveyor, auto feeding line and packaging machine line.

Option: air filling or alcohol spraying.

Application: small bread, cookie, waffle, biscuit.

## Straight Auto Line With Two Machine

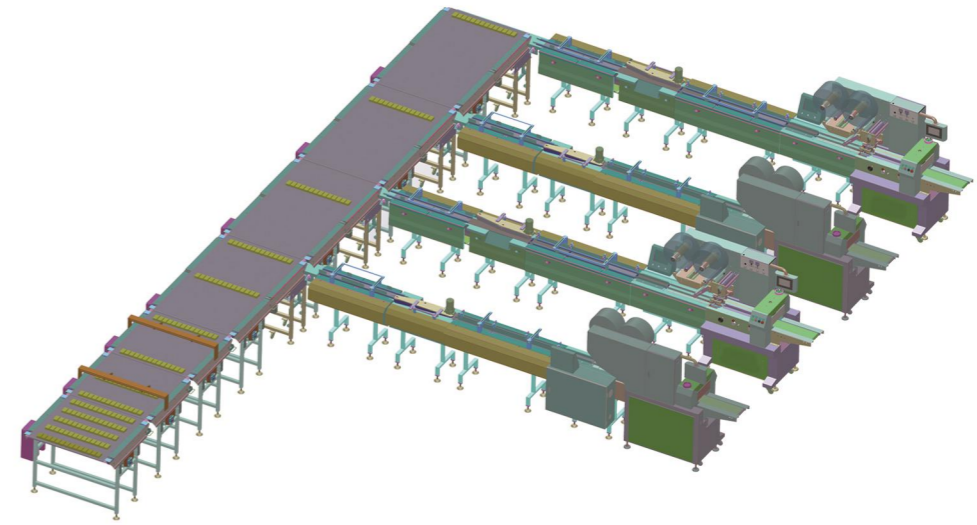


### Main Performance and Structural Characteristics

It's combination by pull conveyor, automatic feeding, automatic packaging machine, could match up with alcohol spraying device, and air inflation device.

Application: Bread, pork floss bread, biscuits, wafer biscuit, cookie and all kinds of regular objects etc .

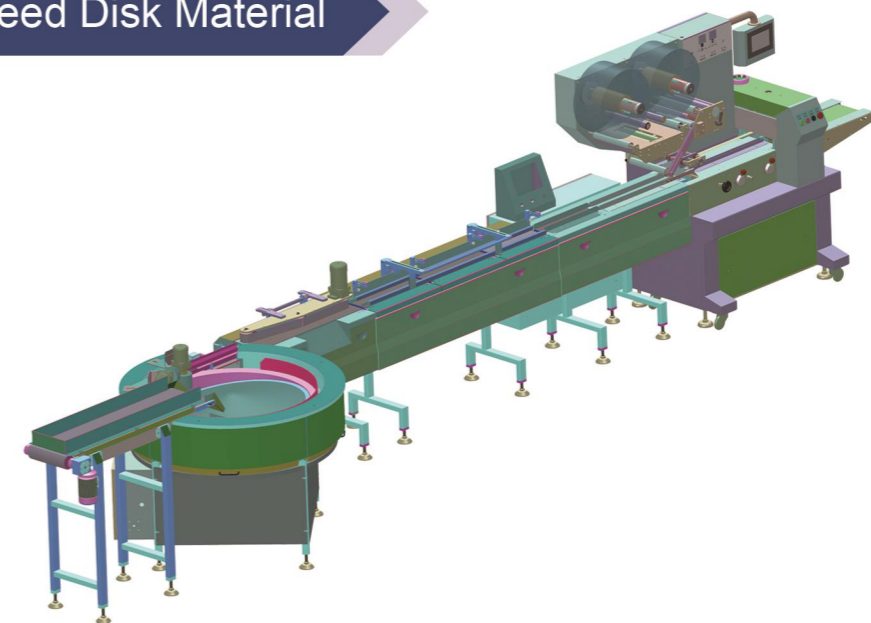
## Subsided Bedding Material



### Main Performance and Structural Characteristics

Outlet type: cutting type is in order and no gap. Application: waffle, Sachima, nougat, swiss roll packaging. Similar products suck as shaqima, peanut candy, chocolate, diced cake, Swiss roll. If high sugar content for shaqima, peanut sugar and other diced products, it is not cutting off, requiring to design the separation parts, the conveyor belt needs a special anti-adhesive belt.

## High-speed Disk Material



### Main Performance and Structural Characteristics

Products Output Method: mouthpieces press or by mould making. Application: suitable for packaging various regular objects such as rice crackers, dog food bars, biscuits etc.

Feeding Method: round disk , suitable for hard products, not easy to be broken, fragile and being scaling-off .

# LP Flow packaging machine

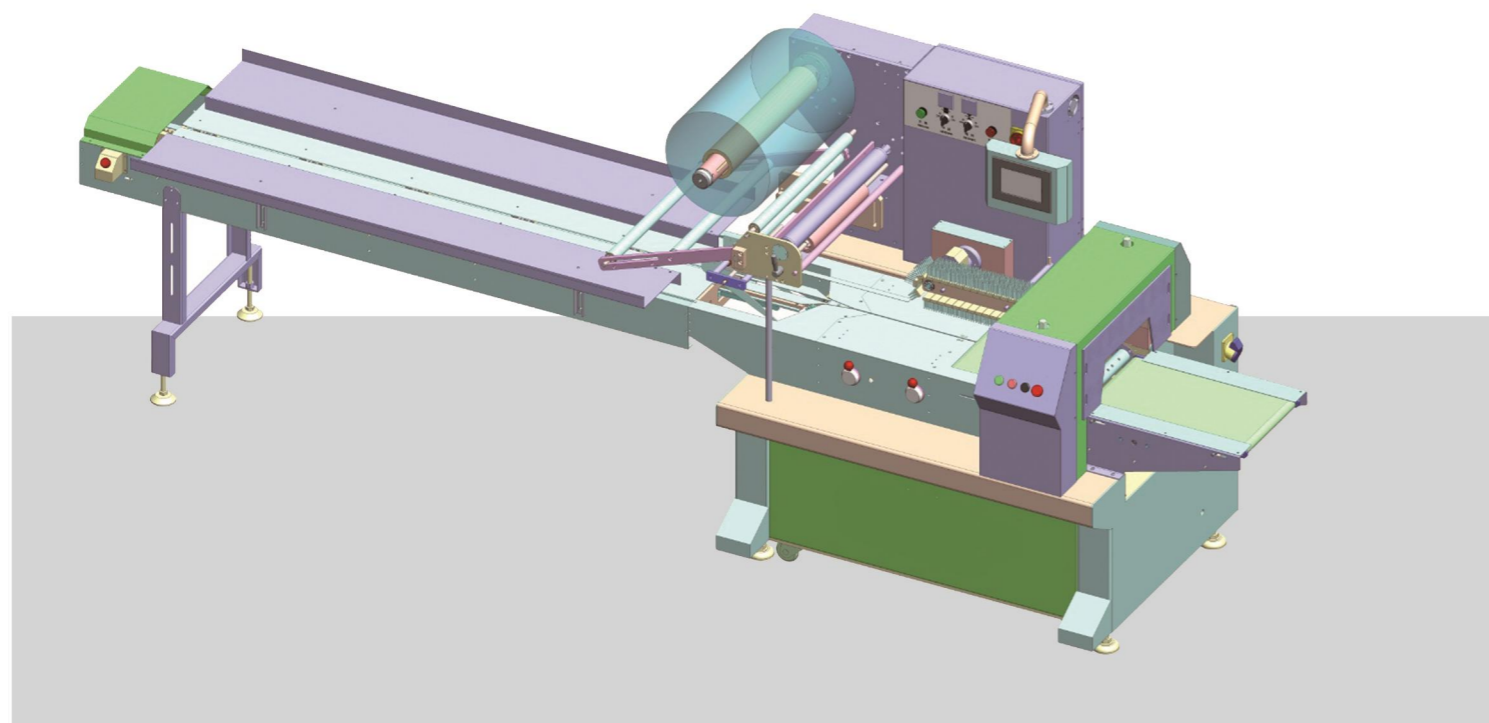
## LP-250B/D 250E/S 320B/D

### Applications

- Packaging various kinds of regular objects like biscuits, pies, chocolates, bread, instant noodles, moon-cakes, drugs, daily applications, industrial parts, paper boxes, tray, etc.

### Features

- Dual frequency conversion control, Bag length can be set and cut in one step, saving time and film.
- Interface features easy and quick setting and operation.
- Self failure diagnosis, clear failure display.
- High sensitivity photoelectric eye color tracing, numerical input of cutting sealing position for extra accuracy.
- Temperature independent PID control, more suitable for packaging different materials.
- Positioned stop function, without sticking knife or wasting film.
- Simple driving system, reliable working, convenient maintenance.
- All control is realized through software, easy for function adjusting and technical upgrade.



### Parameter

#### Optional Accessories:

1. Belt material conveyer
2. End sealing drag chain
3. Auxiliary material feeding device
4. Material cut prevent device
5. Perforating device
6. Angle folding device
7. Date printer
8. Labelling machine
9. Thermal transfer code printer
10. Air charging system
11. Cutting stop



Type of bag

### Specifications

Type	LP-250B	LP-250D	LP-250E	LP-250S	LP-320B	LP-320D
Film width	Max.250mm		Max.180mm		Max.320mm	
Bag length	65-190 Or 120-280mm	90-220 Or 120-280mm	50-115mm	45-90mm	65-190 Or 120-280mm	90-220 Or 150-330mm
Bag width	30-110mm		30-80mm		50-160mm	
Product height	Max.40mm	Max.55mm	Max.35mm		Max.40mm	Max.55mm
Film roll diameter	Max.320mm					
Packaging rate	40-230bag/min		60-330bag/min		40-230bag/min	
Power	220V 50/60Hz 2.4KW		220V 50/60Hz 2.4KW		220V 50/60Hz 2.6KW	
Machine size	(L)3770 x (W)720 x (H)1420mm				(L)3770 x (W)720 x (H)1420mm	
Machine quality	About 500kg				About 550kg	
Remarks	Optional air filling device/Optional angle folding device					
Film material	OPP, PE, PVC, OPP/CPP, PT/PE, KOP/CPP					

### Packaging samples show



# LP Up-paper flow packaging machine

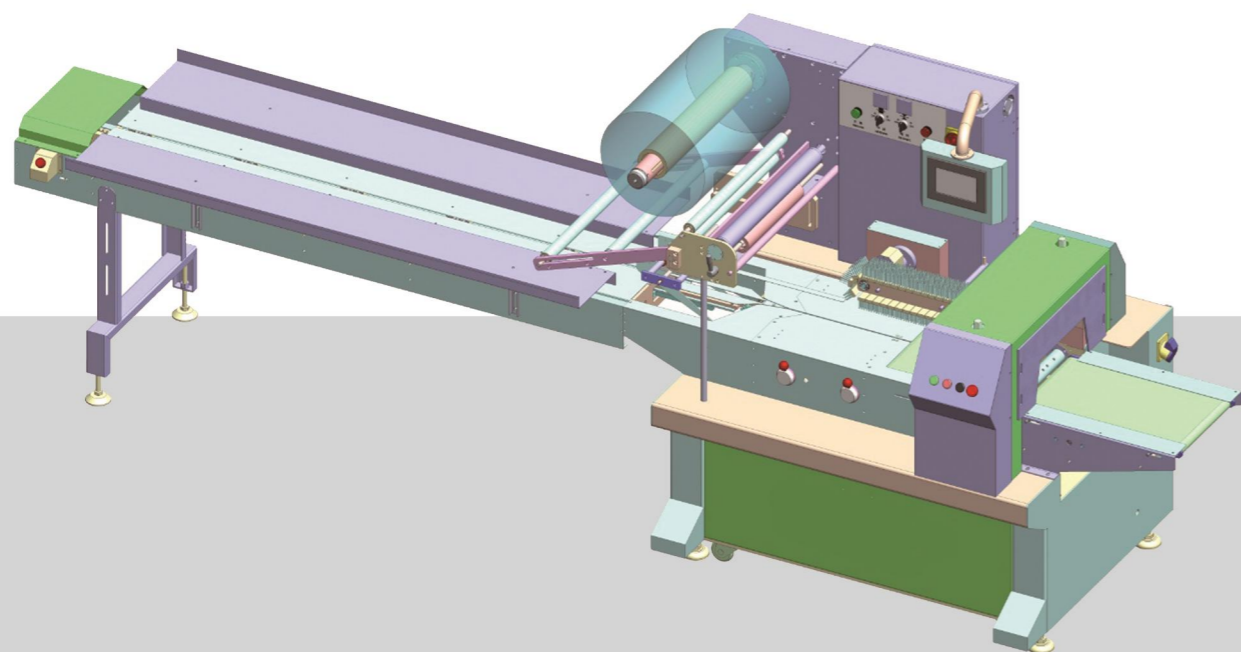
## LP-350BD/450/600/700/800D/900D

### Applications

- Packaging various kinds of regular objects like biscuits, pies, chocolates, bread, instant noodles, moon-cakes, drugs, daily applications, industrial parts, paper boxes, tray, etc.

### Features

- Dual frequency conversion control, Bag length can be set and cut in one step, saving time and film.
- Interface features easy and quick setting and operation.
- Self failure diagnosis, clear failure display.
- High sensitivity photoelectric eye color tracing, numerical input of cutting sealing position for extra accuracy.
- Temperature independent PID control, more suitable for packaging different materials.
- Positioned stop function, without sticking knife or wasting film.
- Simple driving system, reliable working, convenient maintenance.
- All control is realized through software, easy for function adjusting and technical upgrade.



### Parameter

#### Optional Accessories:

1. Belt material conveyor
2. End sealing drag chain
3. Auxiliary material feeding device
4. Material cut prevent device
5. Perforating device
6. Angle folding device
7. Date printer
8. Labelling machine
9. Thermal transfer code printer
10. Air charging system
11. Cutting stop



### Specifications

Type	LP-350B	LP-350D	LP-400	LP-450	LP-600	LP-700	LP-800D	LP-900D
Film width	Max.350mm		Max.400mm	Max.450mm	Max.600mm	Max.700mm	Max.800mm	Max.900mm
Bag length	65-1.90 Or 120-280mm	90-220 Or 150-330mm	150-400mm	150-450mm	160-500mm	180-600mm	210-650mm	240-700mm
Bag width	50-160mm		50-180mm		100-280mm	100-330mm	120-350mm	150-400mm
Product height	Max.40mm	Max.60mm	Max.65mm	Max.75mm	Max.110mm		Max.130mm	Max.150mm
Film roll diameter	Max.320mm							
Packaging rate	40-180bag/min		30-150bag/min		20-150bag/min	20-130bag/min	20-120bag/min	20-100bag/min
Power	220V 50/60Hz 2.6KW		220V 50/60Hz 2.8KW		220V 50/60Hz 2.8KW		220V 50/60Hz 4.5KW	
Machine size	L14030 x W770 x H1420mm		L14030 x W770 x H1420mm	L14030 x W820 x H1420mm	L14030 x W970 x H1500mm	L14030 x W1070 x H1500mm	L14100 x W1170 x H1550mm	L14300 x W1270 x H1550mm
Machine quality	about 580kg		about 600kg	about 650kg	about 680kg	about 720kg	about 800kg	about 850kg
Remarks	Optional air filling device/Optional angle folding device							
Film material	OPP, PE, PVC, OPP/CPP, PT/PE, KOP/CPP							

### Packaging samples show

- Suitable for packing large and regular objects such as vegetables, melons and fruits cartons or pallets.





# LP Down-paper flow packaging machine

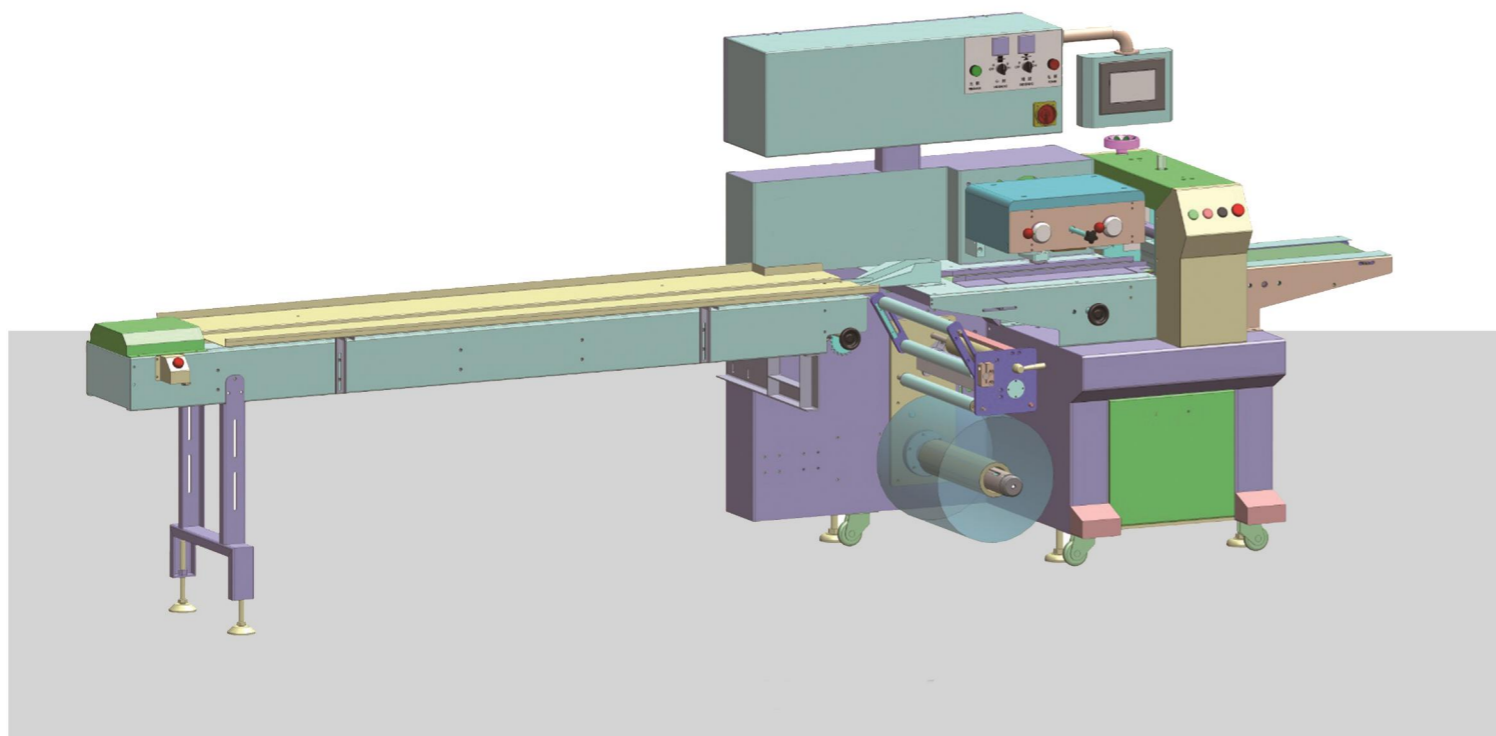
## LP-250X/350X/450X/600X/700X/800X/900X

### Applications

- Packaging various kinds of regular objects like biscuits, pies, chocolates, bread, instant noodles, moon-cakes, drugs, daily applications, industrial parts, paper boxes, tray, etc.

### Features

- Dual frequency conversion control, Bag length can be set and cut in one step, saving time and film.
- Interface features easy and quick setting and operation.
- Self failure diagnosis, clear failure display.
- High sensitivity photoelectric eye color tracing, numerical input of cutting sealing position for extra accuracy.
- Temperature independent PID control, more suitable for packaging different materials.
- Positioned stop function, without sticking knife or wasting film.
- Simple driving system, reliable working, convenient maintenance.
- All control is realized through software, easy for function adjusting and technical upgrade.



### Parameter

#### Optional Accessories:

1. Belt material conveyer
2. End sealing drag chain
3. Auxiliary material feeding device
4. Material cut prevent device
5. Perforating device
6. Angle folding device
7. Date printer
8. Labelling machine
9. Thermal transfer code printer
10. Air charging system
11. Cutting stop

Type of bag



### Specifications

Type	LP-250X	LP-350X	LP-450X	LP-600X	LP-700X	LP-800X	LP-900X
Film width	Max.250mm	Max.350mm	Max.450mm	Max.600mm	Max.700mm	Max.800mm	Max.900mm
Bag length	65-190 Or 120-280mm	90-220 Or 150-330mm	150-450mm	160-500mm	180-600mm	210-650mm	240-700mm
Bag width	30-110mm	50-160mm	50-180mm	100-280mm	100-330mm	120-350mm	150-400mm
Product height	Max.45mm	Max.65mm	Max.80mm	Max.110mm		Max.130mm	Max.150mm
Film roll diameter	Max.320mm						
Packaging rate	40-230bag/min		40-150bag/min	20-150bag/min	20-130bag/min	20-120bag/min	20-100bag/min
Power	220V 50/60Hz 2.6KW			220V 50/60Hz 2.8KW		220V 50/60Hz 4.5KW	
Machine size	(L)3920 x (W)670 x (H)1320mm	(L)4020 x (W)720 x (H)1320mm	(L)4150 x (W)820 x (H)1450mm	(L)4300 x (W)920 x (H)1460mm	(L)4380 x (W)980 x (H)1480mm	(L)4100 x (W)1170 x (H)1550mm	(L)4300 x (W)1270 x (H)1550mm
Machine quality	about 500kg	about 550kg	about 650kg	about 680kg	about 720kg	about 800kg	about 850kg
Remarks	Optional air filling device/Optional angle folding device						
Film material	OPP, PE, PVC, OPP/CPP, PT/PE, KOP/CPP						

### Packaging samples show



# LP Recipocating flow packaging machine

## LP-450W/600W

### Applications

- Suitable for packaging regular objects such as biscuits, pies, bread, instant noodles, drugs daily appliances, industrial parts, paper boxes, plates, etc.

### Feature

- With double frequency control, the bag length is set to cut, no need to adjust the empty walk, one step in place, save time and save film.
- Colorful touch screen, the parameter setting is convenient and quick.
- Fault self diagnosis function, fault display is clear at a glance.
- High sensitivity photoelectric eye color mark tracking, digital input sealing position, make the sealing and cutting position more accurate.
- Temperature are control by PID independently, better suited for all kinds of packaging materials.
- Positioning stop function, no sticky knife, no waste envelope.
- The transmission system is simple, the work is more reliable and the maintenance is more convenient.
- All control is realized by software, convenient for function adjustment and technology upgrading, and will never lag behind.

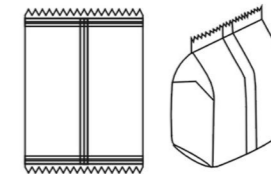


### Parameter

#### Optional Accessories:

1. Belt material conveyer
2. End sealing drag chain
3. Auxiliary material feeding device
4. Material cut prevent device
5. Perforating device
6. Angle folding device
7. Date printer
8. Labelling machine
9. Thermal transfer code printer
10. Air charging system
11. Cutting stop

Type of bag



#### Specifications

Type	LP-450W	LP-600W
Film width	Max.450mm	Max.600mm
Bag length	120-450mm	120-450mm
Bag width	50-160mm	50-200mm
Product height	10-80mm	10-80mm
Film roll diameter	Max.320mm	Max.320mm
Packaging rate	20-80bag/min	20-80bag/min
Power	220V 50/60Hz 3.2KW	220V 50/60Hz 3.6KW
Machine size	(L)4380x(W)870x(H)1500mm	(L)3990x(W)970x(H)1500mm
Machine quality	about 960kg	about 1160kg
Remarks	Reciprocating end sealing system,with angle folding device.	
Film material	OPP、PE、PVC、OPP/ CPP、PT/PE、KOP/ CPP	

#### Packaging samples show

